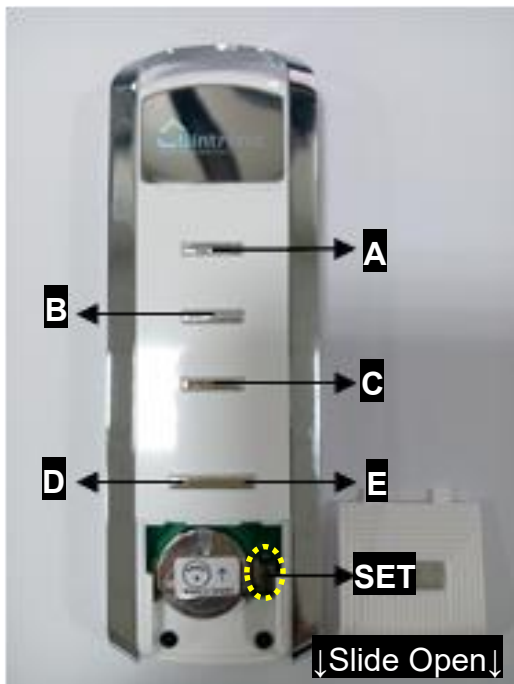
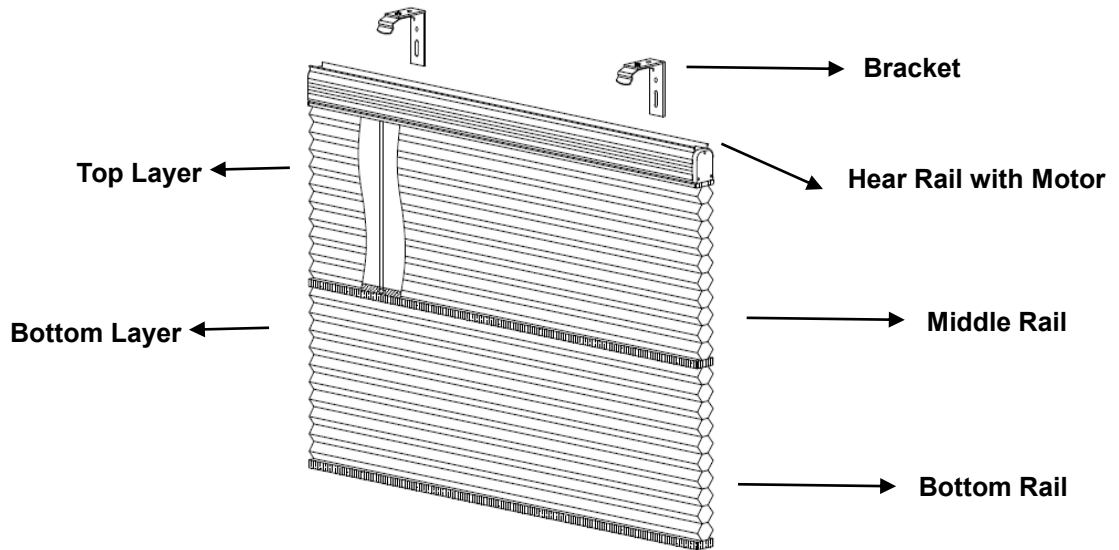


## Single Channel Remote Setting Instructions

# Motorized Cellular Shade

Top Down Bottom Up Type - Day and Night Type



- A**: Up (Middle Rail)
- B**: Stop
- C**: Down (Middle Rail)
- D**: Up (Bottom Rail)
- E**: Down (Bottom Rail)
- SET**: Setting

**\*A+C**: Full Up To  
Close Middle &  
Bottom Rail

## **IMPORTANT!**

**Before implementing any of the following steps, verify shade is powered off and unplugged.**

### **1. PAIR SINGLE CHANNEL REMOTE CONTROL WITH MOTORIZED BLIND**

- a. Power on and connect to motor.
- b. Within five seconds of previous step (a), press A + B + C + D (E) at the same time. Release.
- c. Within five seconds of previous step (b), press A + C at the same time. Release. Process is complete.

### **2. SET UP/DOWN LIMITS—MIDDLE AND BOTTOM RAIL**

#### **Set Upper Limit—Middle Rail**

- a. Press **A + SET** at the same time. Listen for **four short beeps** to indicate **setting mode**.
- b. Press **A** to raise middle rail. **Long press** continues move; **short click** jogs move.
- c. When middle rail reaches desired position, press **B**. *To prevent damage to cord, use **jog move** to reach desired position.*
- d. Press **D (E) + SET** to confirm. Listen for **one sustained beep**. Upper limit setting is complete.

#### **Set Upper Limit—Bottom Rail**

- a. Press **A + SET** at the same time. Listen for **four short beeps**.
- b. Press **A + SET** again. Listen for **two short beeps** to indicate **setting mode**.
- c. Press **A** to raise middle rail. **Long press** continues move; **short click** jogs move.
- d. When middle rail reaches desired position, press **B**. *To prevent damage to cord, use **jog move** to reach desired position.*
- d. Press **D (E) + SET** to confirm. Listen for **one sustained beep**. Upper limit setting is complete.

#### **Set Lower Limit—Bottom Rail**

- a. Press **C + SET** at the same time. Listen for **five short beeps**.
- b. Press **C** to raise middle rail. **Long press** continues move; **short click** jogs move.
- c. When middle rail reaches desired position, press **B**. *To prevent damage to cord, use **jog move** to reach desired position.*
- d. Press **D (E) + SET** to confirm. Listen for **one sustained beep**. Lower limit setting is complete.

**If six beeps are heard during limit setting, setting mode has inadvertently been exited.  
Restart section at first step.**

**After finishing above steps, middle rail will descend to lower limit position.**

### 3. COPY REMOTE (SINGLE CHANNEL REMOTE CONTROL ONLY)

- a. Press **SET** on *original* single channel remote control. Listen for **three short beeps**.
- b. Press **B** on *new* single channel remote control. Copying will commence.
- c. Listen for **one short beep** to confirm completion of program copy. Listen for **one sustained beep** to indicate completion of copy mode.

### 4. CLEAR PROGRAMMED CODE

- a. Unplug motor power. Wait 15 seconds.
- b. Reconnect motor power. Within eight seconds, press **A + B + C + D (E)** at the same time.
- c. Listen for **one beep**. Within five seconds, press **A + C**.
- d. Listen for **one beep**. Programmed code has been cleared.



**Bintronic Enterprise Co., Ltd.**

**Motorized Window Treatments/Remote Control System for Door**

**Automation/Home Automation/Project Development**

<http://www.bintronic.com/en>

Address: No. 62, Bengong 5th Rd., Gangshan Dist, Kaohsiung, 82059, Taiwan

TEL: 886-7-623-6001

FAX: 886-7-623-5583

Email: [sales@bintronic.com](mailto:sales@bintronic.com)